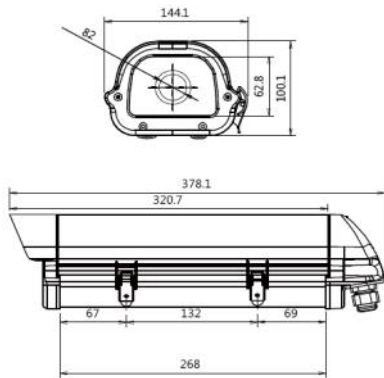


NETWORK IP CAMERA

# HIP-HH290V5

2MP NETWORK IP IR HOUSING CAMERA

**STARVIS** **H.265** **WDR**



## Features

- Sony STARVIS 2.07MP Image Sensor
- Ultra low light color camera(0.01lux/F1.2)
- Triple codec(H.265, H.264, MJPEG)
- Triple Stream
- Max 30fps @ all resolution
- Support Onvif/PoE/External Video
- DOL True WDR
- IR LED : 90 units(90m)
- True Day & Night
- Motorized VF Lens 2.8~12mm(6~50mm available)
- IP66 Weatherproof

## Camera Specifications

IMAGE	Image Sensor	Sony Starvis 2.07MP(1/2.8) Image Sensor
	Scan System	Progressive Scan
	Total Pixels	1945(H) x 1109(V), 2.16 Mega Pixels
	Effective Pixels	1945(H) x 1097(V), 2.13 Mega Pixels
Function	Day & Night	Auto / Day(Color) / Night(BW), ICR Control
	Privacy Area	On / Off (16 Programmable Zones)
	Motion Detection	48 Zone (On/Off, 1~5Step), On / Off
	W D R	WDR, On / Off
	DNR	2DNR, 3DNR
	Defog	Detect foggy, On / Off
	Elec. Shutter	Auto(1/30~1/30000), Suppress Rolling, Manual
	White Balance	Auto / Push / Indoor / Outdoor / Fluorescent
Lens	Image Mirror	Normal/Mirror(H)/Flip(V)Both(HV)
	Focal Length	Motorized VF lens 2.8~12mm
IR LEDs	IR LEDs	90 units
Electrical	Power Supply	DC12[V] ±10% / Max 750mA
Environmental	Operating Temp.	-10°C ~ +50°C
	Preservation Temp.	-20°C ~ +60°C
	Humidity	0% ~ 80%
Mechanical	Weight.	Approx. 1200g (W/Sunshiled & Bracket)

## Network Specifications

System	OS	Embedded Linux
Network	Interface	RJ45 10/100 Base-T PoE
	Protocol	TCP/IP,UDP/IP,RTP,RTSP,RTCP,NTP, HTTP,DHCP,FTP,SMTP,DNS,DDNS
	Onvif	ver2.4.2
	DDNS	iplinker.net
	Simultaneous Access	Max. 10 user
Video	Compress Format	H.265/H.264/MPEG4
	Resolution	1920x1080/1280x720/640x360/320x180
	Frame Rate	Max. 30fps @all resolution
	Streaming	Triple Stream (Stream1,2,3) RTP/RTSP, UnicastRTP, Multicast RTP
Audio	Compress Format	G.711 u-law
	Streaming	Two way
Event	Sensor In	1(NC/NO)
	Alarm Out	1 (Digital Output, Open Collector)
Web Browser	OS	Windows 7, 8, 10
	Manager	IE(over 11), Firefox, Safari, Opera
	Viewer	IE only (Active-X)

\*Specification and Design are subject to change without notice